

# Radial spherical plain bearings GE..UK 2RS

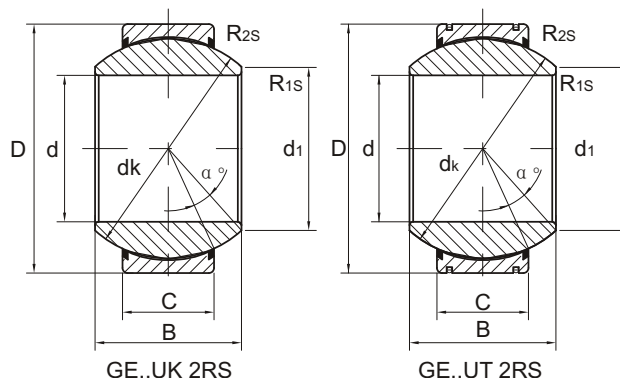


## 向心关节轴承

Maintenance-free, sealed 无润滑，带密封

- Outer ring with single split in axial direction.
- Outer race bonded with PTFE fabric.
- Outer ring with lip seals in both sides.
- Spherical surface of inner ring hard chrome plated.
- Outer rings is properly phosphate treated.

- 外圈有一道轴向缝。
- 外圈球面粘贴有PTFE织物。
- 外圈两面带密封圈。
- 内圈球面镀铬。
- 外圈表面磷化处理。



Part No. 型号	Dimensions 尺寸mm									Load ratings 负荷KN		Weight 重量Kg
	d	D	B	C	d <sub>1</sub> min	dk	R <sub>1s</sub> min	R <sub>2s</sub> min	$\alpha$ ≈	dyn. 动 C <sub>d</sub>	stat. 静 C <sub>s</sub>	
GE 15 UK 2RS	15	26	12	9	18	22	0.3	0.3	9	26	52	0.035
GE 17 UK 2RS	17	30	14	10	20	25	0.3	0.3	10	48.70	81.2	0.041
GE 20 UK 2RS	20	35	16	12	24	29	0.3	0.3	9	67.5	112	0.066
GE 25 UK 2RS	25	42	20	16	29	35.5	0.6	0.6	7	127	212	0.119
GE 30 UK 2RS	30	47	22	18	34	40.7	0.6	0.6	6	165	275	0.153
GE 35 UK 2RS	35	55	25	20	39	47	0.6	1.0	6	210	350	0.233
GE 40 UK 2RS	40	62	28	22	45	53	0.6	1.0	7	277	462	0.306
GE 45 UK 2RS	45	68	32	25	50	60	0.6	1.0	7	360	600	0.427
GE 50 UK 2RS	50	75	35	28	55	66	0.6	1.0	6	442	737	0.546
GE 60 UK 2RS	60	90	44	36	66	80	1.0	1.0	6	690	1150	1.04
GE 70 UK 2RS	70	105	49	40	77	92	1.0	1.0	6	885	1475	1.55
GE 80 UK 2RS	80	120	55	45	88	105	1.0	1.0	6	1125	1875	2.31
GE 90 UK 2RS	90	130	60	50	98	115	1.0	1.0	5	1380	2300	2.75
GE 100 UK 2RS	100	150	70	55	109	130	1.0	1.0	7	1717	2862	4.45
GE 110 UK 2RS	110	160	70	55	121	140	1.0	1.0	6	1845	3075	4.82
GE 120 UK 2RS	120	180	85	70	135	160	1.0	1.0	6	2685	4475	8.05
GE 140 UK 2RS	140	210	90	70	155	180	1.0	1.0	7	3015	5025	11.02
GE 160 UK 2RS	160	230	105	80	170	200	1.0	1.0	8	3840	6400	14.01
GE 180 UK 2RS	180	260	105	80	199	225	1.1	1.1	6	4320	7200	18.65
GE 200 UK 2RS	200	290	130	100	213	250	1.1	1.1	7	6000	10000	28.03
GE 220 UK 2RS	220	320	135	100	239	275	1.1	1.1	8	6600	11000	35.51
GE 240 UK 2RS	240	340	140	100	265	300	1.1	1.1	8	7200	12000	39.91
GE 260 UK 2RS	260	370	150	110	288	325	1.1	1.1	7	8550	14250	51.54
GE 280 UK 2RS	280	400	155	120	313	350	1.1	1.1	6	10050	16750	65.06
GE 300 UK 2RS	300	430	165	120	336	375	1.1	1.1	7	10800	18000	78.07